

# ArcGIS® Schematics: Dealing with Connectivity

An Esri® White Paper  
March 2013



Copyright © 2013 Esri  
All rights reserved.  
Printed in the United States of America.

The information contained in this document is the exclusive property of Esri. This work is protected under United States copyright law and other international copyright treaties and conventions. No part of this work may be reproduced or transmitted in any form or by any means, electronic or mechanical, including photocopying and recording, or by any information storage or retrieval system, except as expressly permitted in writing by Esri. All requests should be sent to Attention: Contracts and Legal Services Manager, Esri, 380 New York Street, Redlands, CA 92373-8100 USA.

The information contained in this document is subject to change without notice.

Esri, the Esri globe logo, ArcGIS, ArcMap, ArcCatalog, [esri.com](http://esri.com), and @esri.com are trademarks, service marks, or registered marks of Esri in the United States, the European Community, or certain other jurisdictions. Other companies and products or services mentioned herein may be trademarks, service marks, or registered marks of their respective mark owners.

---

# ArcGIS Schematics: Dealing with Connectivity

## An Esri White Paper

<b>Contents</b>	<b>Page</b>
Introduction.....	1
The ArcGIS Schematics Network Metamodel .....	2
Connectivity Managed in the Geodatabase.....	3
Physical Connectivity .....	3
Geometric Networks .....	3
Network Dataset.....	5
Spatial Connectivity.....	7
Relational Connectivity .....	9
Connectivity in Tables .....	10
Simple Connectivity.....	10
Complex Connectivity .....	13
Using a Join Statement.....	13
Using a Union Statement .....	14
Using an In Statement.....	15
Conclusion .....	17



---

# ArcGIS Schematics: Dealing with Connectivity

## Introduction

Connectivity and relationships are key information for managing and viewing networks, which are a way to use any event occurring between objects and view all the information in an organized manner that is easy to analyze and understand. Connectivity can represent different varieties of information and can be used to generate diagrams that show how entities are related.

There are so many different types of networks that connectivity represents a large diversity of relationships. Networks can be categorized in different manners, but there are two main families:

- Physical networks—Energy (gas, electricity), communications (telecommunications, cable, cyber networks), pipeline (oil and gas), water supply and wastewater, transportation (road, rail), and so forth
- Logical and social networks—Health and agriculture (animal and disease tracking), homeland security (critical infrastructure, interdependencies analysis), law enforcement (crime scene analysis), finance (flow charts), telecommunications (services analysis), and so forth

The distinction between physical and logical networks is hard to define, and it makes sense to merge these types to be able to use physical and logical relations within a unique schematic diagram.

As a consequence of the needs discussed above, connectivity events can appear in various manners such as the following:

- Physical connections—Pipe 1 *connects* valve A to valve B.
- Logical connections—Substation A *feeds* power to hospital B.
- Flow—The power *is going* from power plant A to substation B.
- Relational—Person A *likes* person B.
- Factual—The list of users *was sent* by person A to person B.
- Physical—Cow 1 *moves* from ranch A to ranch B.
- Hierarchical—Person A *reports* to person B.
- Ownership—House A *is owned* by person B.
- Time—Flight 131 *departure time* is 2:00 p.m. and *arrival time* is 3:30 p.m.
- Spatial—Transformers 1, 3, and 4 *are within* substation A.

Users store and manage connectivity information in many different ways. Some use physical connectivity, such as the geometric network, while others use information stored in database tables (explicit connectivity).

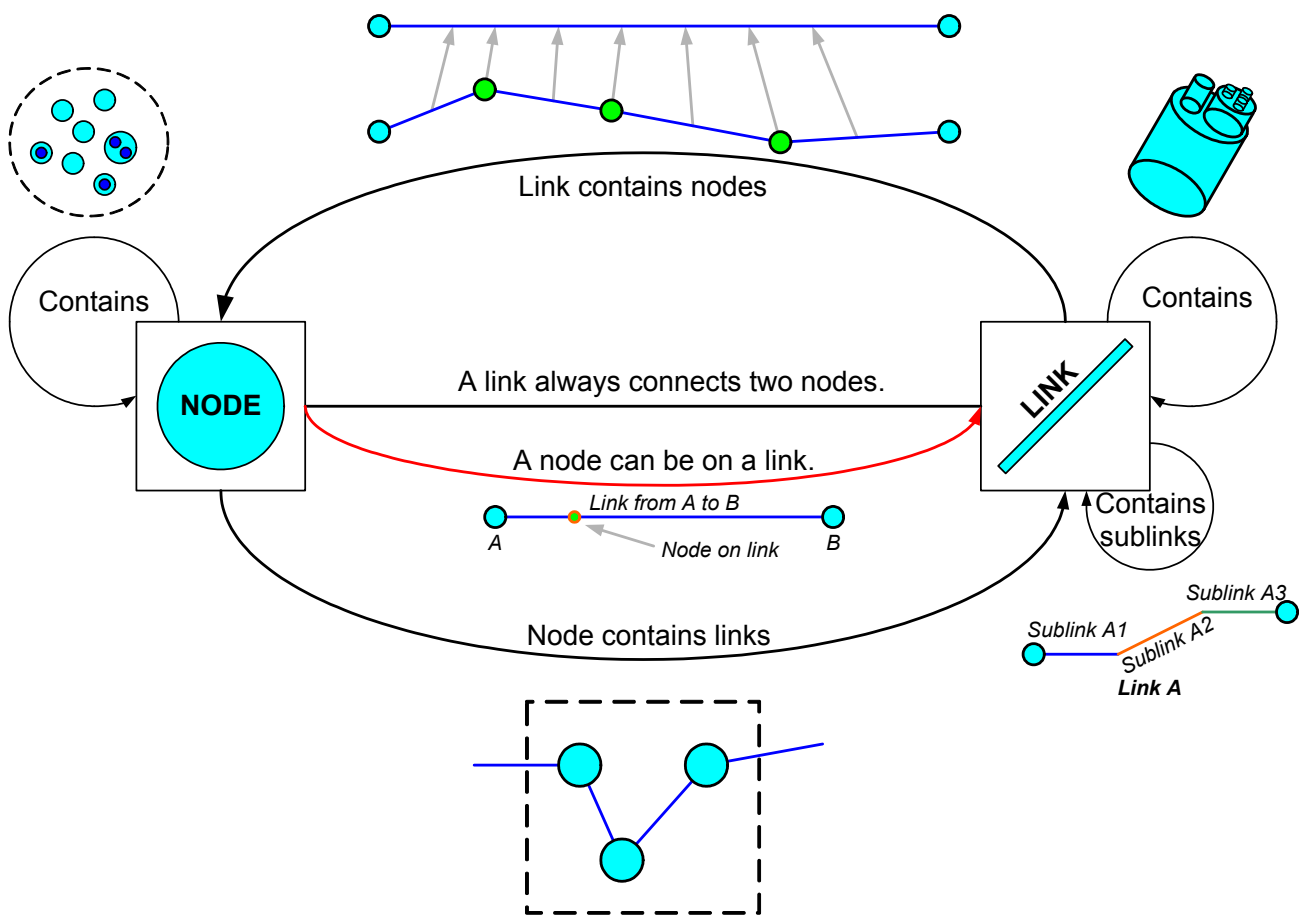
This document gives an overview of the ArcGIS® Schematics metamodel and discusses how these different types of connectivity are managed within the application.

Since connectivity is managed through the Schematics Dataset Editor application, it is advisable to read the white paper [ArcGIS Schematics: Automatic Schematic Generation for ArcGIS](#) prior to reading this one.

### The ArcGIS Schematics Network Metamodel

The metamodel is an important piece of the ArcGIS Schematics extension since it must be generic and recursive to manage all aspects of connectivity. The two main objects are the node and the link. Links represent the relationships between nodes. Figure 1 shows how connectivity can be represented within a schematic diagram.

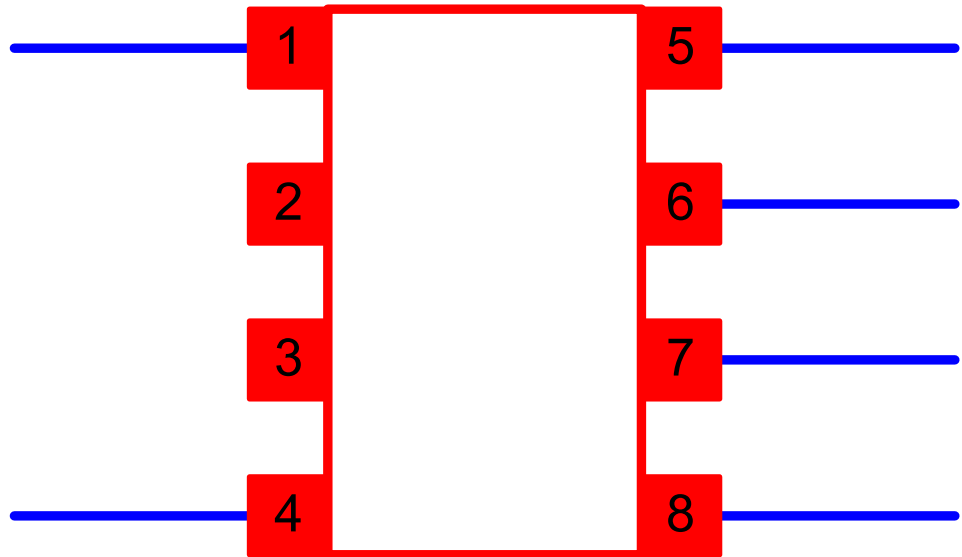
**Figure 1**  
**ArcGIS Schematics Network Model**



A node is a junction in a network graph. It is represented by a symbol and may be assigned various graphic (color, fill style, and so forth), geometric (e.g., scaling and rotation), or visual (visibility, highlighting, etc.) attributes. A node on a link is a node positioned on a link path route. Its location on the link is either absolute or relative. Nodes on links are completely dependent on the link to which they are related.

Some applications request the ability to have many connection ports to a node. ArcGIS Schematics allows the setting of ports to a symbol that represents a node (see figure 2).

**Figure 2**  
**Node with Multiple Connection Ports**



A link is an edge in a network graph. It is represented by either a direct single line segment or several line segments passing through zero or many link points. A link can have a direction; arrows can be placed on its endpoints to show this.

A sublink is a link that exists as part of another link. It connects one node on link to one of its related link's extremity nodes or connects two nodes on links. Sublinks are completely dependent on the link to which they are related.

## Connectivity Managed in the Geodatabase

### *Physical Connectivity*

Physical connectivity is stored in the geodatabase as either a geometric network or a network dataset. ArcGIS Schematics can read both networks, retrieve the connectivity, and generate a diagram that is stored in the geodatabase in a schematics dataset.

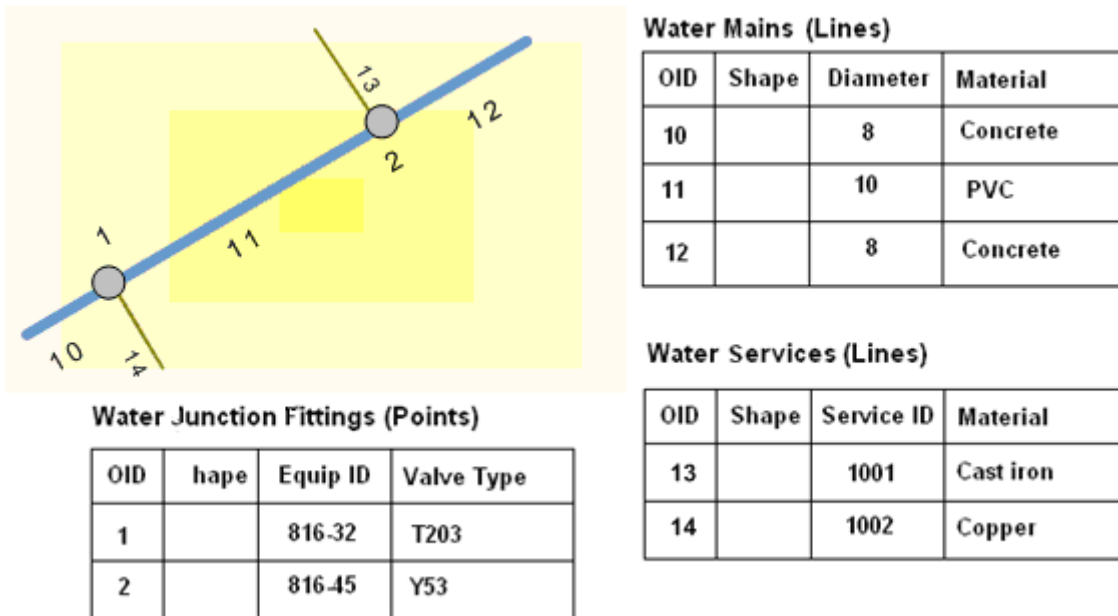
### Geometric Networks

Geometric networks offer a way to model common networks and infrastructures found in the real world. Water distribution, electrical lines, gas pipelines, telephone services, and water flow in a stream are examples of resource flows that can be modeled and analyzed using a geometric network.

A geometric network is a set of connected edges and junctions along with connectivity rules that are used to represent and model the behavior of a common network infrastructure in the real world. Geodatabase feature classes are used as the data sources to define the geometric network. You define the roles that various features will play in the geometric network and rules for how resources flow through the geometric network.

In figure 3, a geometric network models the flow of water through water mains and services that are connected by water junction fittings.

**Figure 3**  
**Water Geometric Network**



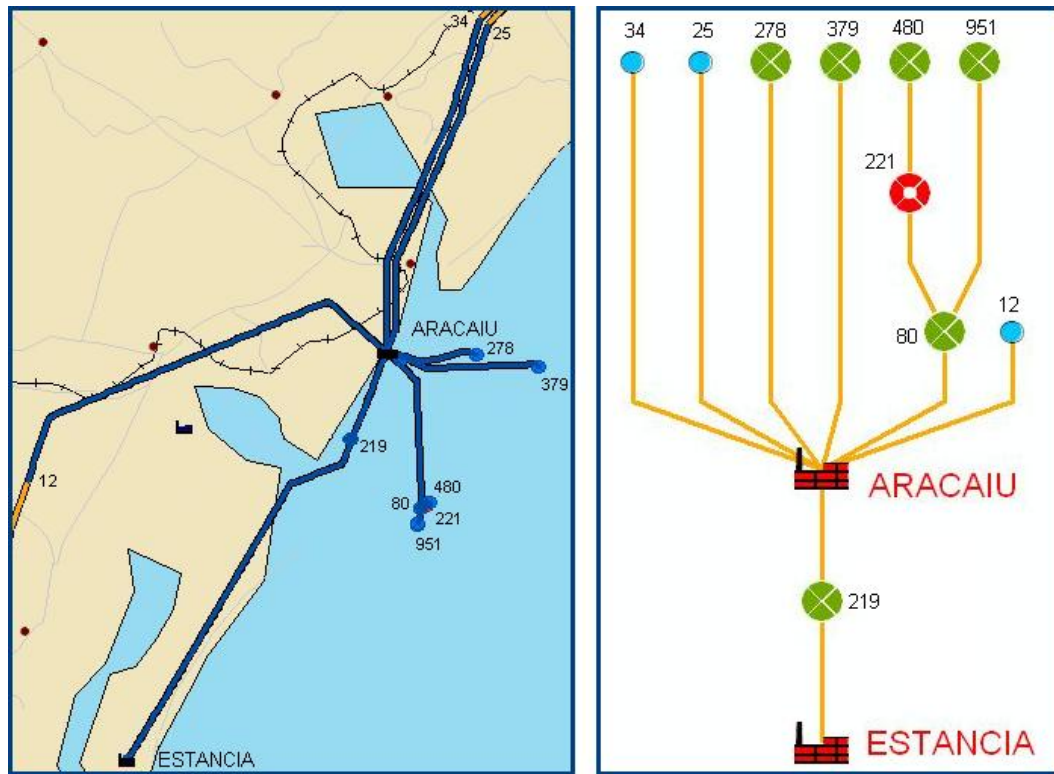
A utility network can be directed. This means the agent (for example, water, sewage, or electricity) flows along the network based on certain rules built into the network. The path that the water will take is predetermined. It can be changed, but not by the agent. The engineer controlling the network can change the rules of the network by opening some valves and closing others to change the direction of the network.

In ArcGIS, utility networks are modeled using geometric networks. To find out more about the geometric network, refer to the `geometric_networks.chm` file found in the ArcGIS for Desktop Help.

The left part of figure 4 shows the result of a trace (in blue) that was generated by using a geometric network on a pipeline network. The right part shows the related schematic diagram that used the geometric network to retrieve the connectivity.

J9611

**Figure 4**  
**Pipeline Network in Brazil**



*Trace on a Map*

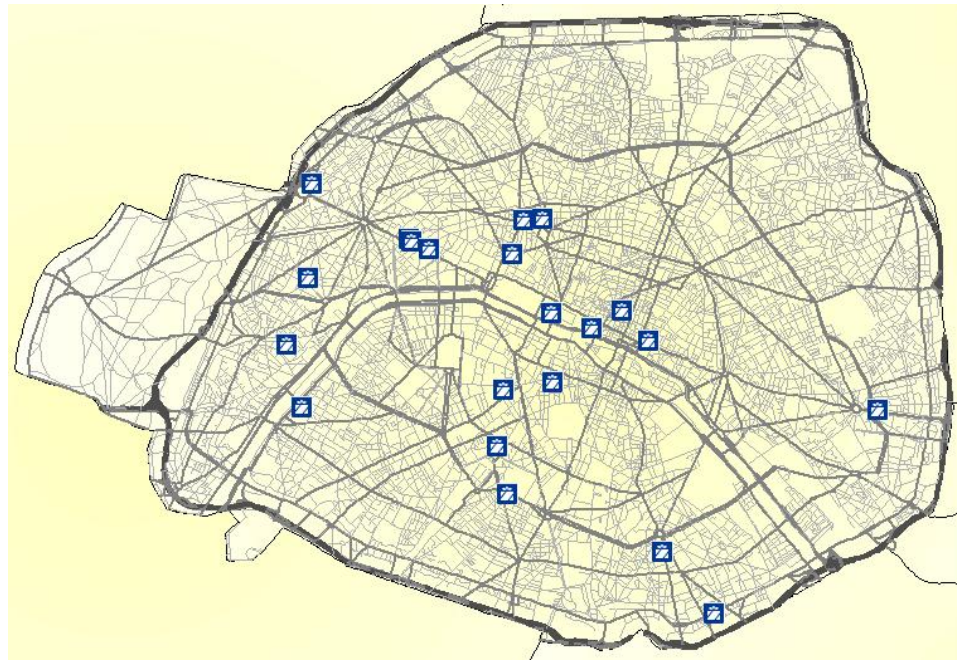
*Related Schematic Diagram*

The schematic configuration is automatically built using the Import From Feature Layers tool that is provided in the Schematics Dataset Editor application. The connectivity is automatically retrieved from the geometric network.

**Network Dataset**

The ArcGIS Network Analyst extension allows you to build and perform analysis on a network dataset. A network dataset is created from the feature source or sources that participate in the network. It incorporates an advanced connectivity model that can represent complex scenarios such as multimodal transportation networks. It also possesses a rich network attribute model that helps model impedances, restrictions, and hierarchy for the network. The network dataset is built from simple features (lines and points) and turns. Figure 5 is an example of a transportation network in downtown Paris, France, displaying road, rail, and bus networks.

**Figure 5**  
**Paris Transportation Network**

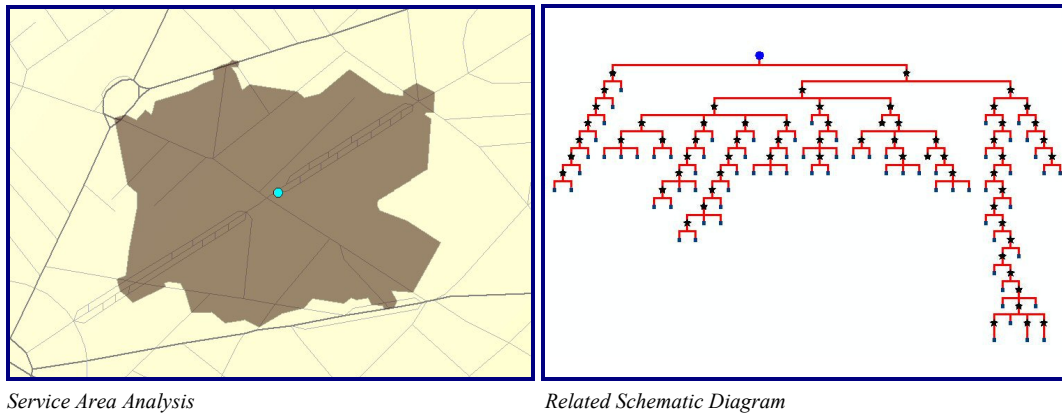


Connectivity is inherently important to travel through the network. Network elements, such as edges (lines) and junctions (points), must be interconnected to allow navigation over the network. Additionally, these elements have properties that control navigation on the network. Transportation networks are undirected networks. This means that although an edge on a network may have a direction assigned to it, the agent (the person or resource being transported) is free to decide the direction, speed, and destination of traversal. For example, a person in a car traveling on a street can choose which street to turn onto, when to stop, and which direction to drive. Restrictions imposed on a network, such as one-way streets or no U-turns allowed, are guidelines for the agent to follow. This is in stark contrast to the utility network.

In ArcGIS, transportation networks are modeled using network datasets. To learn more about the network dataset, refer to the `network_analyst.chm` file found in the ArcGIS for Desktop Help.

The left part of figure 6 shows the result of a service area analysis that was generated with ArcGIS Network Analyst on the Paris transportation network. The right part shows the related tree schematic diagram that used the network dataset to retrieve the transportation network and the connectivity.

**Figure 6**  
**Service Area in the City of Paris**



The schematic configuration is automatically built when using Network Dataset Builder in the Schematics Dataset Editor application. The connectivity is automatically retrieved from the network dataset.

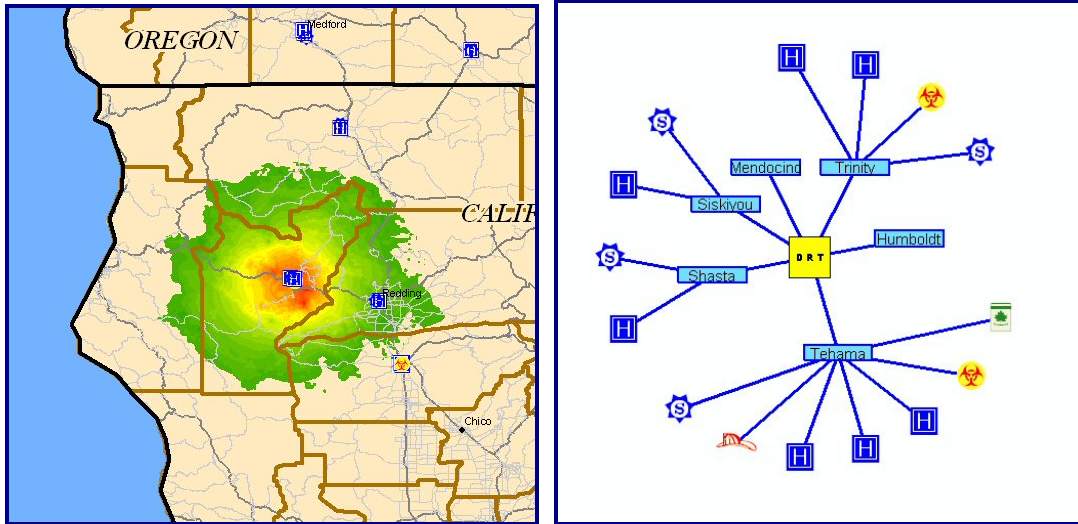
### ***Spatial Connectivity***

Spatial connectivity is stored in the geodatabase through topology or can be generated using the Select By Location tool in ArcMap™. ArcGIS Schematics does not use the internal topology that can be created in ArcCatalog™; however, it does include a spatial query rule that invokes the Select By Location tool when generating or updating a schematic diagram. Such a rule is set in the Schematics Dataset Editor application at the level of a schematic diagram template.

The Select By Location dialog box lets you select features based on their locations relative to other features. For instance, if you want to know how many homes were affected by a recent flood and you mapped the flood boundary, you could select all the homes that are within this area. This type of question is known as a spatial query.

The map on the left of figure 7 shows an earthquake area in northern California. Using this earthquake polygon, a spatial query rule, and a set of relationship rules (see the Relational Connectivity section), ArcGIS Schematics automatically generated the diagram on the right that shows the disaster response team and all counties that were affected by the earthquake along with their emergency agencies.

**Figure 7**  
**Disaster Management**

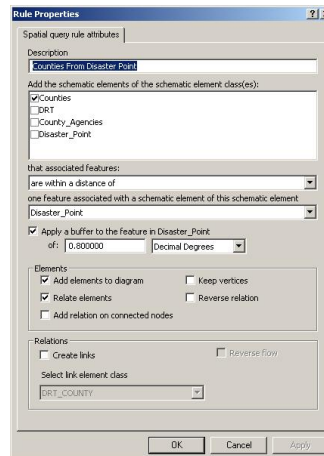


*Earthquake Map*

*Related County Agencies Diagram*

Figure 8 shows how the spatial query rule is set in the Schematics Dataset Editor application.

**Figure 8**  
**Spatial Query Rule in Dataset Editor**



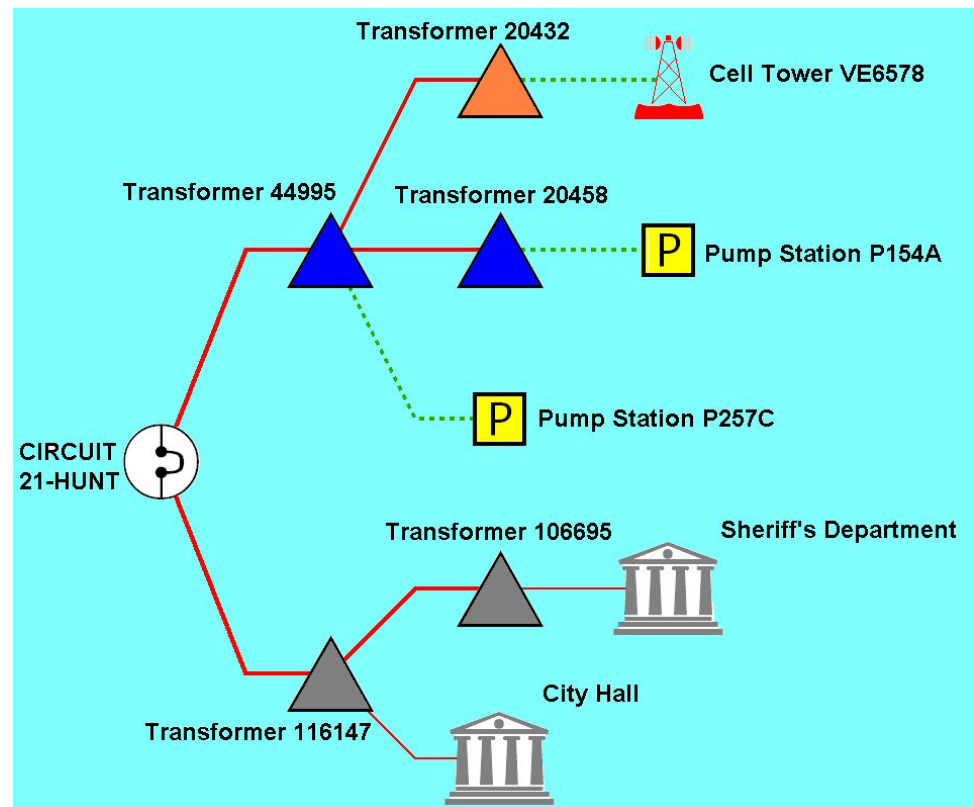
### ***Relational Connectivity***

Relationship classes define relationships between objects in the geodatabase. These relationships can be simple one-to-one relationships, similar to what you might create between a feature and a row in a table, or more complex one-to-many or many-to-many relationships between features and table rows. Some relationships specify that a given feature, row, or table is not only related to another feature but that creating, editing, or deleting one will have a specified effect on the other. These are called composite relationships, and they can be used to ensure that the links between objects in the database are maintained and up-to-date.

ArcGIS Schematics includes a relationship rule that uses relationship classes to generate connectivity. Relationship classes are created using ArcCatalog. Then a relationship rule is set in the Schematics Dataset Editor application at the level of a schematic diagram template and is invoked each time a diagram is created or updated.

Figure 9 below shows a diagram that was generated by using a geometric network of an electrical network and a set of relationship classes set between the electrical transformers (triangles) and cell towers, pump stations, and critical buildings.

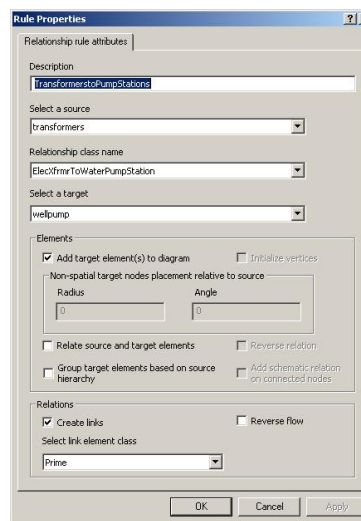
**Figure 9**



*The loss of a circuit breaker or transformers impacts a water network, critical electric customers, and a telecom network.*

Figure 10 shows how the relationship rule is set in the Schematics Dataset Editor application.

**Figure 10**  
**Relationship Rule in Dataset Editor**



### ***Connectivity in Tables***

The ways connectivity is stored in tables depend largely on the kind of organization and industry. There are two main categories for storing this type of information in tables. The first is called simple. It is modeled as explicit fields, giving the connectivity between objects that are stored in other tables. The second is designated as complex because attributes must be processed to retrieve connectivity. Networks such as telecommunications or IT use complex connectivity, as they are using fiber or pair IDs to retrieve the connections between equipment. Such connectivity must be set through the Schematics Dataset Editor application using Structured Query Language (SQL) statements. In other words, the difference between simple and complex connectivity is mainly related to the simplicity or complexity of the SQL statement.

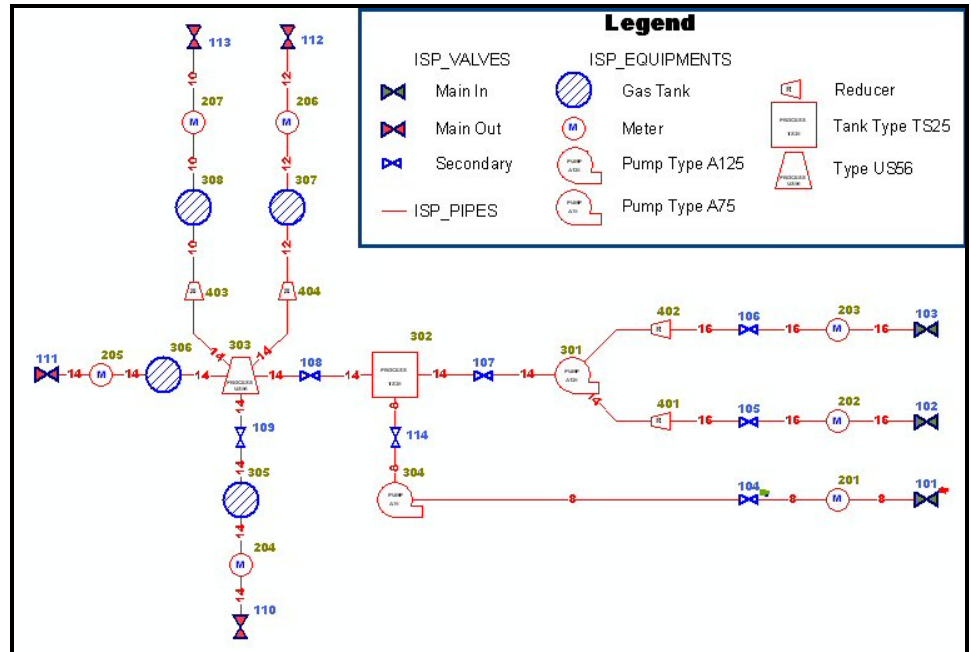
### **Simple Connectivity**

Connectivity is simple when it is stored through explicit fields in a table that is related to a link. Two fields are needed to represent the connection from an object A to an object B. These objects can be stored in different tables and are related to nodes.

J9611

Figures 11–13 show an internal diagram of a pipeline gas plant using simple connectivity.

**Figure 11**  
Aracaiui, Brazil, Gas Plant Diagram



Three tables are used, one for the link (ISP\_PIPES) and two for the nodes (ISP\_EQUIPMENTS and ISP\_VALVES).

**Figure 12**  
Link Table

OBJECTID	DIAMETER	PLACING_DATE	MAINT_DATE	FROM_NODE_NUM	TO_NODE_NUM	FCID	FOID	PLANT_NUMBER
1	14	1/14/2004	1/14/2005	305	204		6	101
2	14	1/14/2004	1/14/2005	306	205		6	101
3	12	1/14/2004	1/14/2005	307	206		6	101
4	10	1/14/2004	1/14/2005	308	207		6	101
5	18	1/14/2004	1/14/2005	115	319		1	104
6	18	1/14/2004	1/14/2005	309	322		1	104
7	12	1/14/2004	1/14/2005	116	310		1	104
8	12	1/14/2004	1/14/2005	310	323		1	104
9	12	1/14/2004	1/14/2005	311	117		1	104
10	18	1/14/2004	1/14/2005	319	309		1	104

Connectivity fields are shown in light red.

**Figure 13**  
**Node Tables**

The figure shows two screenshots of ArcGIS tables. The top screenshot is titled 'ISP\_EQUIPMENTS : Table' and contains the following data:

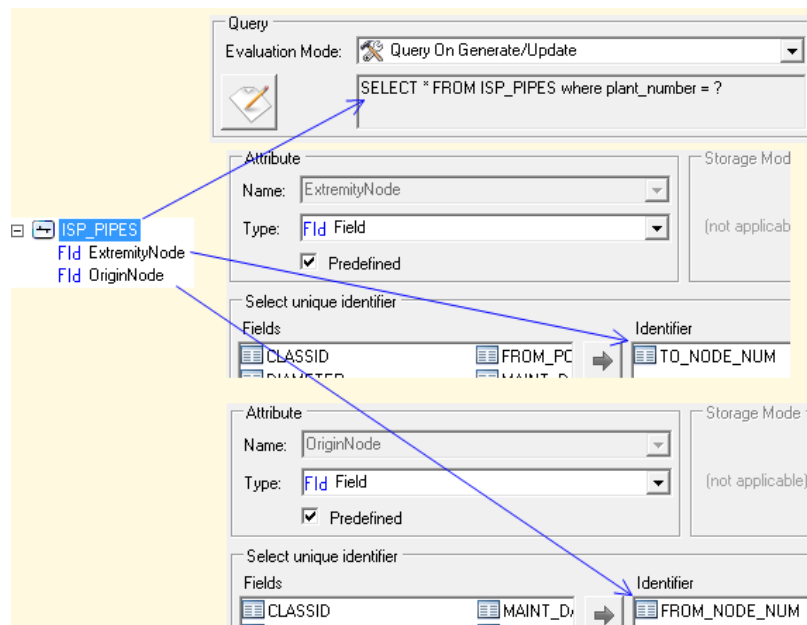
OBJECTID	TYPE	ENABLED	PLACING_DATE	MAINT_DATE	NUMBER	PLANT_NUMBER	OID
1	Pump Type A75	0	1/14/2004	1/14/2005	304	101	6
2	Gas Tank	0	1/15/2004	1/14/2005	305	101	6
3	Gas Tank	0	1/15/2004	1/14/2005	306	101	6
4	Gas Tank	0	1/15/2004	1/14/2005	307	101	6
5	Gas Tank	0	1/15/2004	1/14/2005	308	101	6
6	Distillator Tower	0	1/15/2004	1/14/2005	309	104	3
7	Reformer	0	1/15/2004	1/14/2005	310	104	3
8	Meter	0	1/15/2004	1/14/2005	311	104	3
9	BS Reactor	0	1/15/2004	1/14/2005	312	104	3
10	Furnace	0	1/15/2004	1/14/2005	313	104	3

The bottom screenshot is titled 'ISP\_VALVES : Table' and contains the following data:

OBJECTID	TYPE	ENABLED	PLACING_DATE	MAINT_DATE	NUMBER	PLANT_NUMBER	OID	CLASSID	RelatedO
1	Main In	1	1/14/2004	1/14/2005	101	101	6	9	
2	Main In	1	1/14/2004	1/14/2005	102	101	6	9	
3	Main In	1	1/14/2004	1/14/2005	103	101	6	9	
4	Secondary	0	1/14/2004	1/14/2005	104	101	6	9	
5	Secondary	1	1/14/2004	1/14/2005	105	101	6	9	
6	Secondary	1	1/14/2004	1/14/2005	106	101	6	9	
7	Secondary	0	1/14/2004	1/14/2005	107	101	6	9	
8	Secondary	0	1/14/2004	1/14/2005	108	101	6	9	
9	Secondary	0	1/14/2004	1/14/2005	109	101	6	9	
10	Main Out	0	1/14/2004	1/14/2005	110	101	6	9	

In Schematics Dataset Editor, the ISP\_PIPES feature class is parameterized as shown in figure 14.

**Figure 14**  
**ISP\_PIPES Setting in Dataset Editor**



For more information on this example or using simple connectivity, please refer to [Using ArcGIS Schematics for Inside Plant Representation](#).

J9611

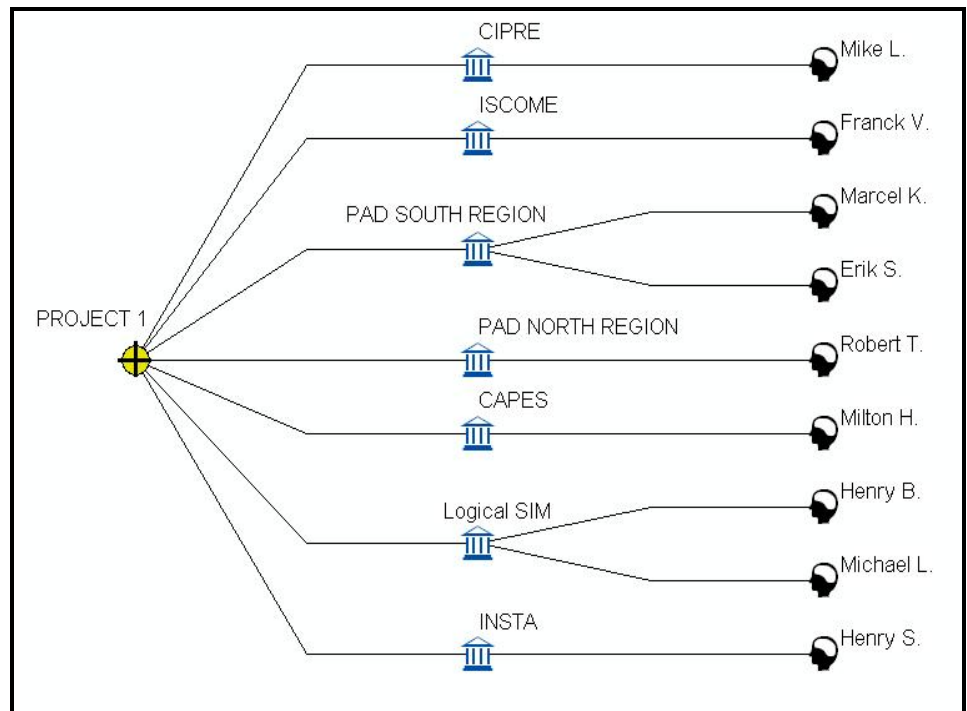
**Complex Connectivity**

Connectivity is complex when it is stored in tables but requires sophisticated SQL statements to retrieve or build it. This section will describe different cases and show how the related SQL statement and the Origin Node and Extremity Node attributes are set in the Schematics Dataset Editor application.

*Using a Join Statement*

Figures 15 and 16 are related to a project management application showing the players (companies) and company contacts that are involved in a given project.

**Figure 15**  
**Project Diagram for Project 1**



The data model is very simple: it has only two tables, one for projects and one for players/contacts.

**Figure 16**  
**Tables Used to Generate Project Diagrams**

Project : Table				PlayerAndContact : Table			
OBJECTID	PROJECT_NAME	PLAYER_CONTACT_ID		OBJECTID	Contactperson	Player	Address
1	PROJECT 1	1		12	Gert L.	INSTA	
2	PROJECT 1	14		13	Maurice J.	INSTA	
3	PROJECT 1	20		14	Michael L.	Logical SIM	
4	PROJECT 1	25		15	Dennis V.	Logical SIM	
5	PROJECT 1	32		16	Hans W.	Logical SIM	
6	PROJECT 1	33		17	David B.	Logical SIM	

Projects Table

Players and Contacts Table

A simple query against the Project table is necessary to select the projects. This must be joined to the PlayerAndContact table to select the players, the contacts, the relationships between the projects and the players, and the relationships between the players and the contacts. Joins can be made with the explicit Join SQL keyword or implicitly as will be seen in this example. The key that is used for the join of projects and players is the PLAYER\_CONTACT\_ID of the Project table that relates to the OBJECTID of the PlayerAndContact table.

Figures 17 and 18 show how the Query parameter is set in the Schematics Dataset Editor application.

**Figure 17**  
**Player Node Query Parameters**

```
SELECT PlayerAndContact.OBJECTID,
PlayerAndContact.Player,
Project.PLAYER_CONTACT_ID
From
Project, PlayerAndContact
Where
Project.PLAYER_CONTACT_ID=PlayerAndContact.OBJECTID
And
Project.PROJECT_NAME=?
```

**Figure 18**  
**Project to Player Link Query Parameter**

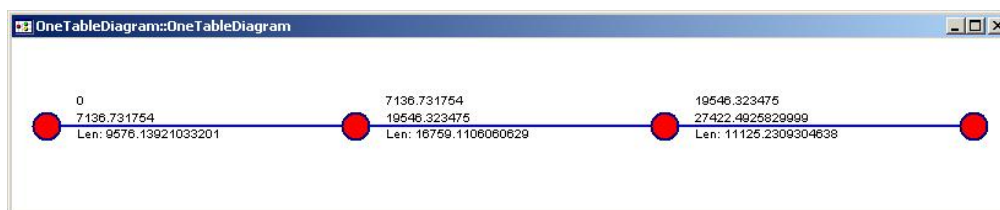
```
SELECT PlayerAndContact.OBJECTID,
PlayerAndContact.Player,
Project.PLAYER_CONTACT_ID
Project.PROJECT_NAME
From
Project, PlayerAndContact
Where
Project.PLAYER_CONTACT_ID=PlayerAndContact.OBJECTID
And
Project.PROJECT_NAME=?
```

### *Using a Union Statement*

Sometimes it happens that only one table is used to describe a relationship between nodes. It also describes the nodes and the links themselves. It is possible to use such a table to generate a schematic diagram that contains nodes and links.

Figures 19 and 20 show an example of the use of a Union statement.

**Figure 19**  
**Diagram Generated from One Unique Table**



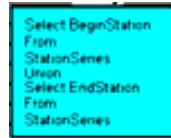
J9611

**Figure 20**  
**Unique Table**

Shape	OBJECTID	CreateDate	EffectiveFromDate	OperationalStatus	BeginStation	EndStation
Long binary data	1	10/25/2005 12:36:07 PM	10/25/2005 12:36:07 PM	4	0	7136.731754
Long binary data	2	10/25/2005 12:36:23 PM	10/25/2005 12:36:23 PM	4	7136.731754	19546.323475
Long binary data	3	10/25/2005 12:36:44 PM	10/25/2005 12:36:44 PM	4	19546.323475	27422.4925829999

Figures 21 and 22 show how the parameters are set in the Schematics Dataset Editor application.

**Figure 21**  
**Node Query Setting in Dataset Editor**



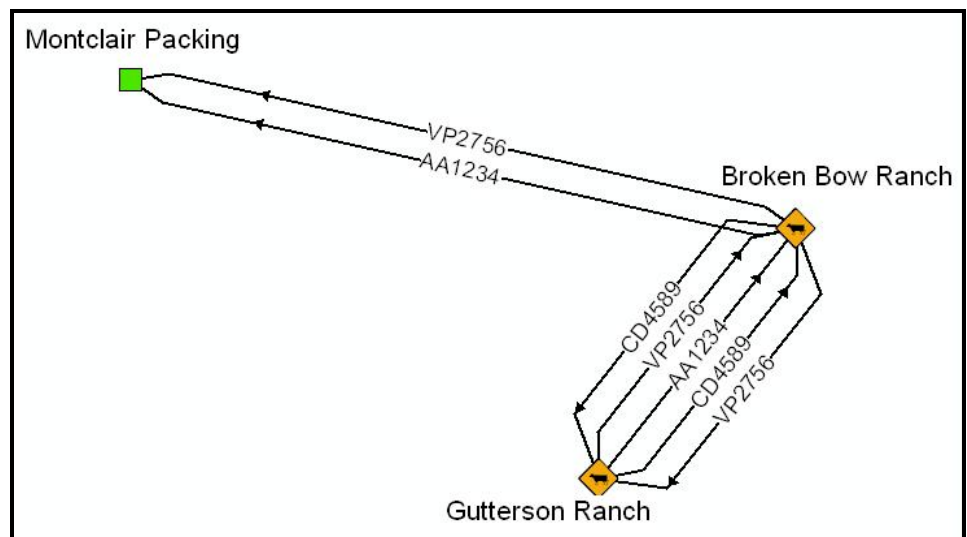
**Figure 22**  
**Link Settings in Dataset Editor**



*Using an In Statement*

Figure 23 is related to an animal tracking application showing animal movements.

**Figure 23**  
**Premises Diagram Showing Animal Movements**



Three tables were used to generate the diagram above. Two of them are feature classes (Feedlots and Ranches) while the third is just a table (Tracking). The Feedlots and Ranches tables are used to generate the nodes in the diagram while the Tracking table is used to generate the links. (See figures 24 and 25.)

**Figure 24  
Node Tables**

Feedlots : Table					
OBJECTID	SHAPE	PREMISEID	NAME	ADDRESS	
1	Long binary data	100	Montclair Packing	Greeley CO	
2	Long binary data	101	Garden Packing	Garden City KS	
3	Long binary data	103	Rock Packing	Rock Springs WY	
4	Long binary data	104	Pampacking	Pampa TX	
5	Long binary data	105	Morgan Packing	Fort Morgan CO	

Ranches : Table					
OBJECTID	SHAPE	PREMISEID	NAME	ADDRESS	
1	Long binary data	200	Gutterson Ranch	Fort Morgan CO	
2	Long binary data	201	Hermans Ranch	Garden City KS	
3	Long binary data	203	Broken Bow Ranch	Broken Bow NE	
4	Long binary data	204	Horse Ranch	Rock Springs WY	
5	Long binary data	205	Pampa Ranch	Pampa TX	

**Figure 25  
Links Tables**

Tracking : Table								
OBJECTID	FromPREMISEID	ToPREMISEID	FromNAME	ToName	HERDID	DATE Moved	COWID	
1	200	203	Gutterson Ranch	Broken Bow Ranch	900	9/29/2004	AA1234	
14	200	203	Gutterson Ranch	Broken Bow Ranch	950	11/6/2004	CD4589	
16	200	203	Broken Bow Ranch	Gutterson Ranch	950	12/11/2004	CD4589	
17	200	100	Gutterson Ranch	Monfort Packing	950	11/12/2004	CD4589	
18	203	200	Broken Bow Ranch	Gutterson Ranch	900	12/24/2004	VP2756	
19	200	203	Gutterson Ranch	Broken Bow Ranch	900	12/26/2004	VP2756	
20	203	100	Broken Bow Ranch	Monfort Packing	900	12/27/2004	VP2756	
21	100	301	Monfort Packing	Wal Mart Denver	900	12/28/2004	VP2756	
64	203	100	Broken Bow Ranch	Montclair Packing	900	3/17/2005	AA1234	
65	100	301	Montclair Packing	Wal Mart Denver	900	3/17/2005	AA1234	

Figures 26–27 show how the parameters are set in the Schematics Dataset Editor application.

**Figure 26  
Feedlots (Node) Query Setting in Dataset Editor**

```
Select *
From Feedlots
Where PREMISEID
In
(Select FromPREMISEID From Tracking Where ToPremiseID = ?)
Or PREMISEID
In
(Select ToPREMISEID From Tracking Where FromPremiseID = ?)
Or PREMISEID = ?
```

**Figure 27**  
**Ranches (Node) Query Setting in Dataset Editor**

```
Select *
From Ranches
Where PREMISEID
In
(Select FromPREMISEID From Tracking Where ToPremiseID = ?)
Or PREMISEID
In
(Select ToPREMISEID From Tracking Where FromPremiseID = ?)
Or PREMISEID = ?
```

**Conclusion** ArcGIS Schematics is a powerful tool to rapidly view connectivity or relationships between objects by fitting to the user data model. ArcGIS Schematics can leverage the internal connectivity of models based on geometric networks or network datasets as well as take advantage of spatial and relationship rules to handle other types of physical and logical connectivity in the model. For models not using internal connectivity, the use of SQL makes ArcGIS Schematics adaptable to any kind of connectivity and allows powerful queries to retrieve information and display it in an organized manner.



Esri inspires and enables people to positively impact their future through a deeper, geographic understanding of the changing world around them.

Governments, industry leaders, academics, and nongovernmental organizations trust us to connect them with the analytic knowledge they need to make the critical decisions that shape the planet. For more than 40 years, Esri has cultivated collaborative relationships with partners who share our commitment to solving earth's most pressing challenges with geographic expertise and rational resolve. Today, we believe that geography is at the heart of a more resilient and sustainable future. Creating responsible products and solutions drives our passion for improving quality of life everywhere.



## Contact Esri

380 New York Street  
Redlands, California 92373-8100 USA

1 800 447 9778  
T 909 793 2853  
F 909 793 5953  
info@esri.com  
[esri.com](http://esri.com)

Offices worldwide  
[esri.com/locations](http://esri.com/locations)